

"MZ" Cabinet

DESCRIPTION:

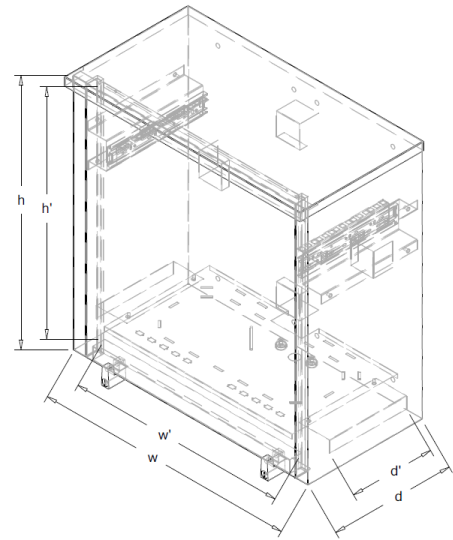
- Cabinet made of sheet metal with a 1,0 mm thick Magnelis coating,
- Locked by 2 padlocks T-13 Barrel with 8 mm diameter pins (basic version and L version) or hermetic locks (Z and ZL version),
- Cabinet has from bottom 2 holes $\varnothing 16$ and 1 hole $\varnothing 24$ blinded with hermetic glands,
- Can be wall mounted or mounted with 2 pole holders.

Additional equipment for basic version:

- 19" 5U rack mounts, fixed or retractable,
- PS 19" 1U 24xSC SX / DX,
- Splice tray,
- Cable storage organizer,
- 2 pole holders.

Cabinets in L and ZL versions are additionally equipped with:

- Welded cable organizer (cable reserve) on the back panel,
- Shelf with commutation field.



outdoor

Symbol	External dimensions (mm)			Internal dimensions (mm)		
	height (h)	width (w)	depth (d)	height (h')	width (w')	depth (d')
MZ-62/61/30	627	613	322	559,5	514	266
MZ-62/61/30 Z	627	613	322	559,5	514	266
MZ-62/61/30 L	627	613	322	518,5	514	266
MZ-62/61/30 ZL	627	613	322	518,5	514	266



MZ-62/61/30 ZL